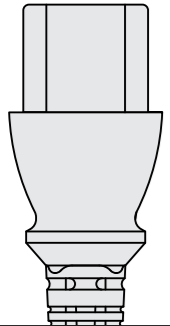
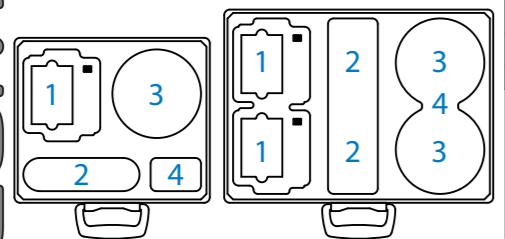


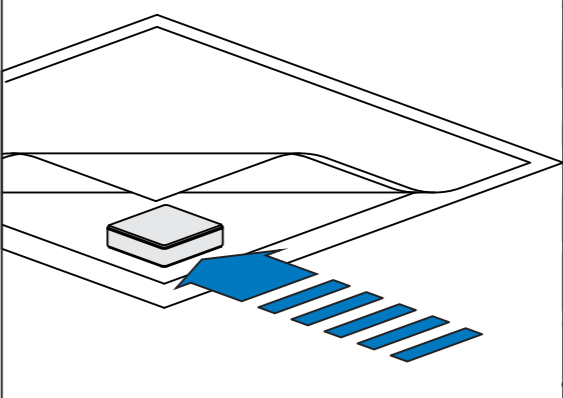
SHOWLED CONBOX QUICK GUIDE



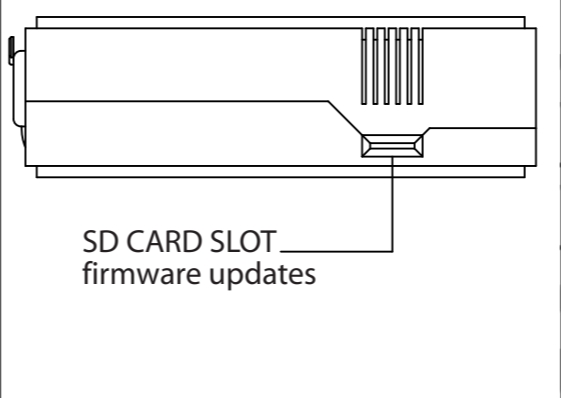
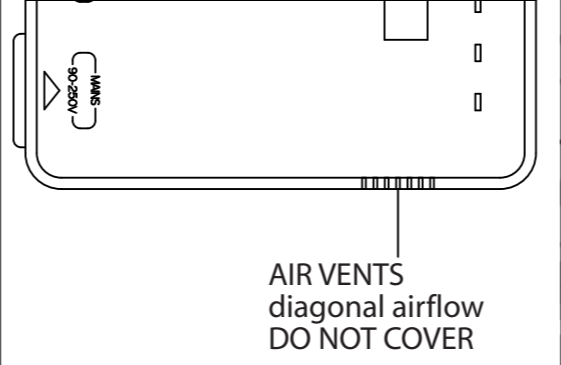
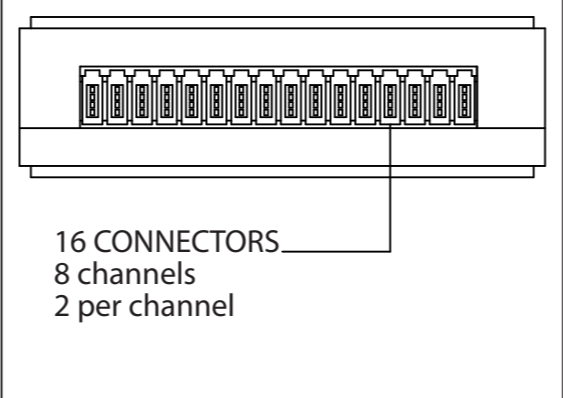
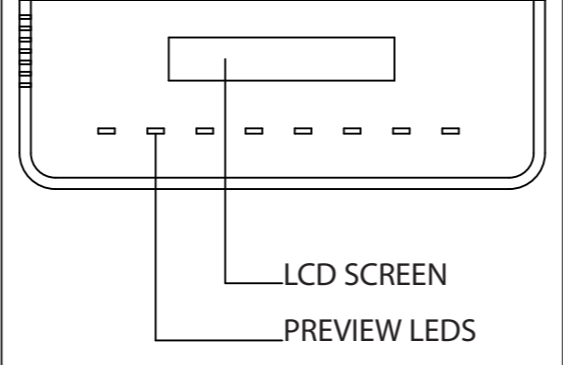
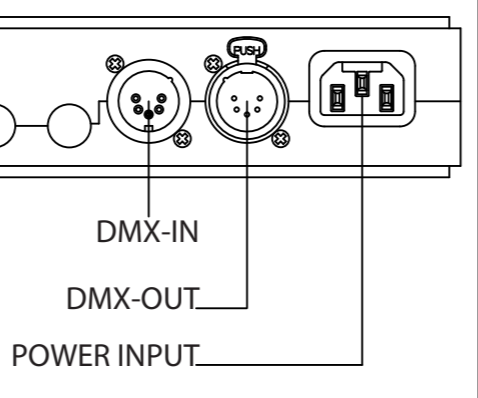
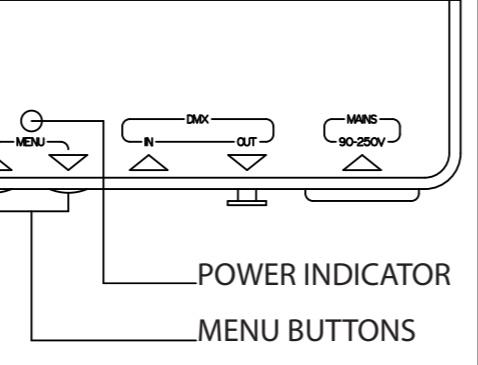
1. CONBOX
2. POWER CORD
3. DMX 10M
4. SPARE LEDS



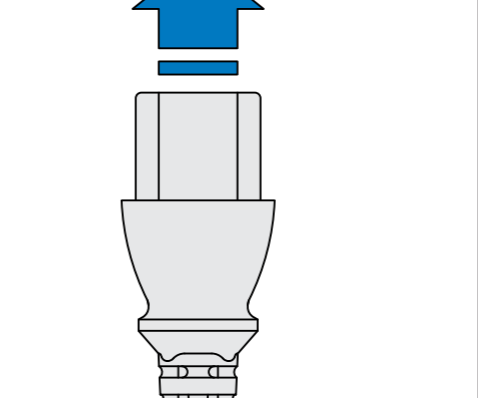
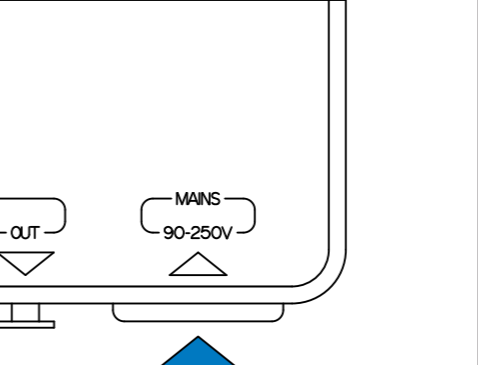
NO CONBOX IN YOUR STORAGE CASE? CHECK YOUR CURTAIN



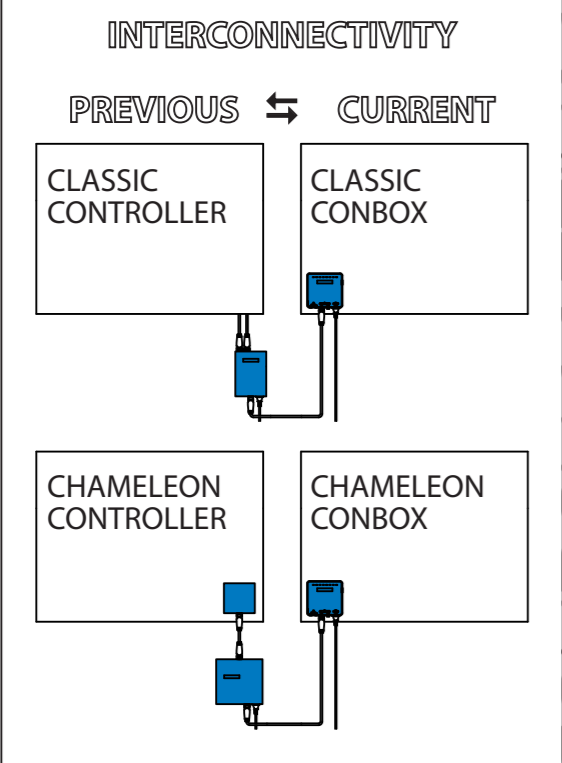
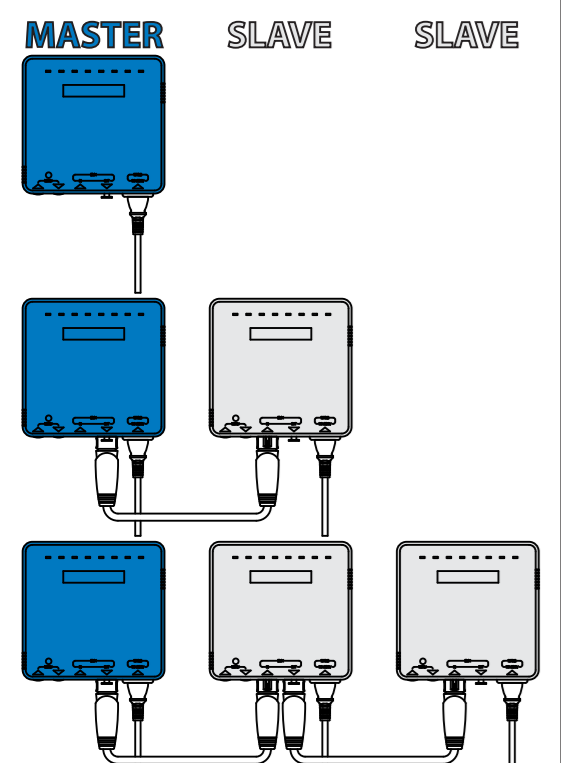
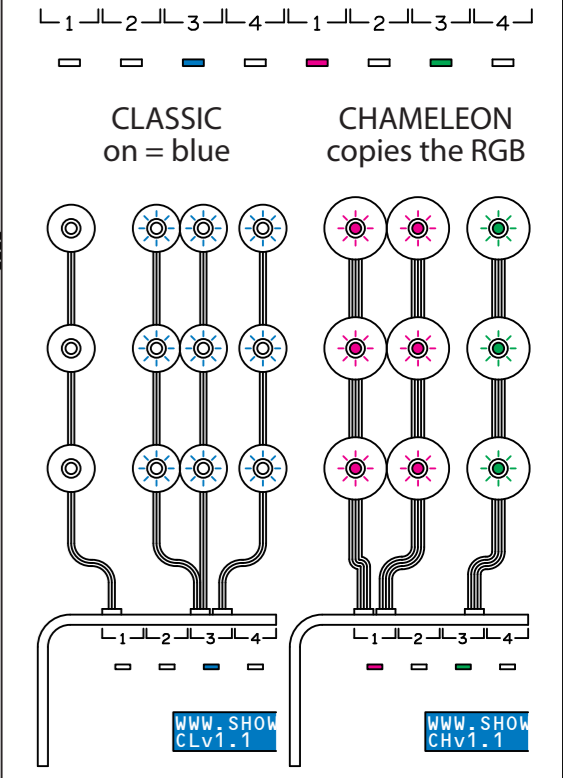
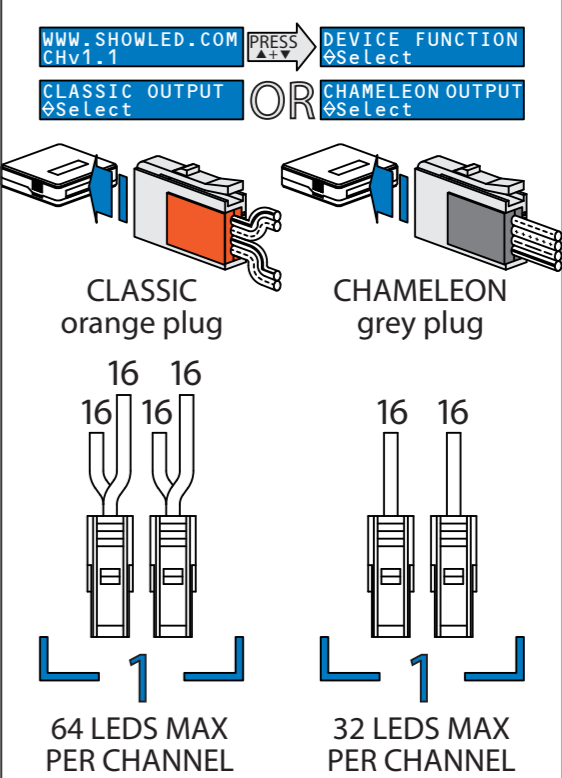
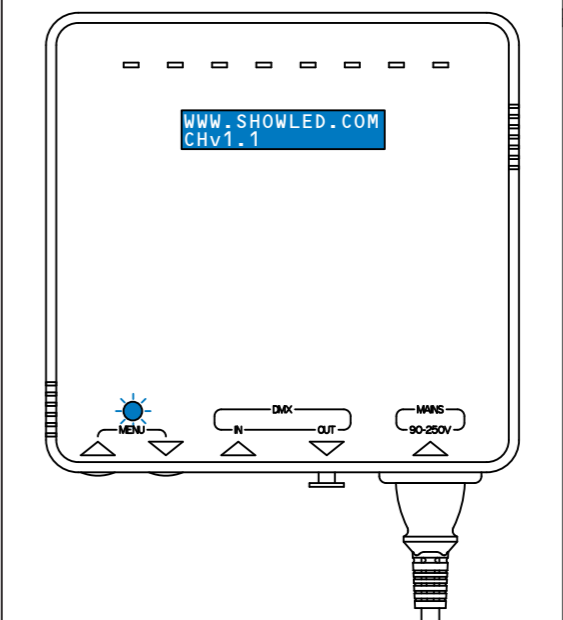
INTRODUCTION



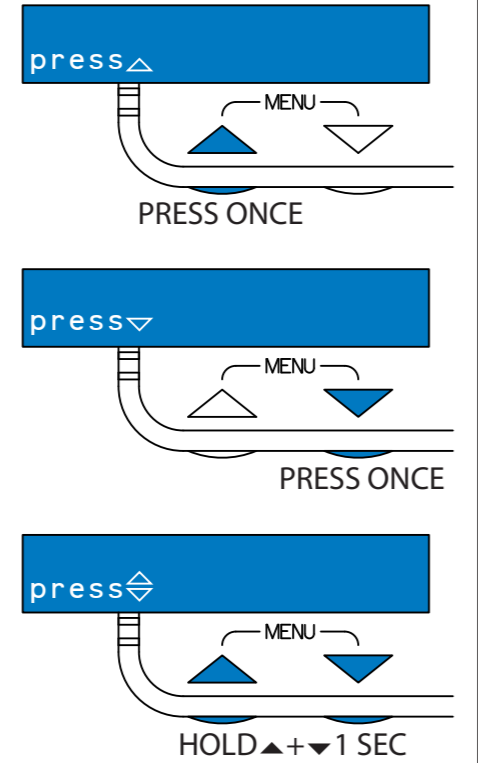
CONNECTIONS



POWER INDICATOR-ON WWW.SHOWLED.COM



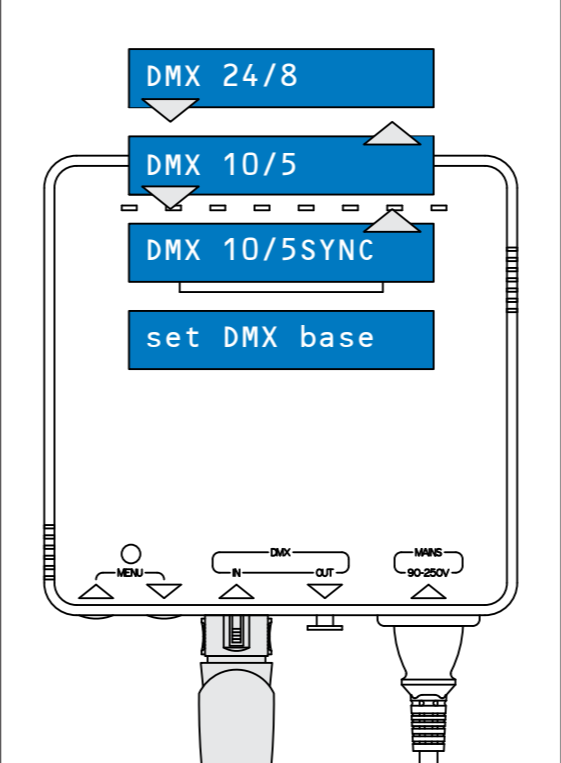
CONBOX SETTINGS



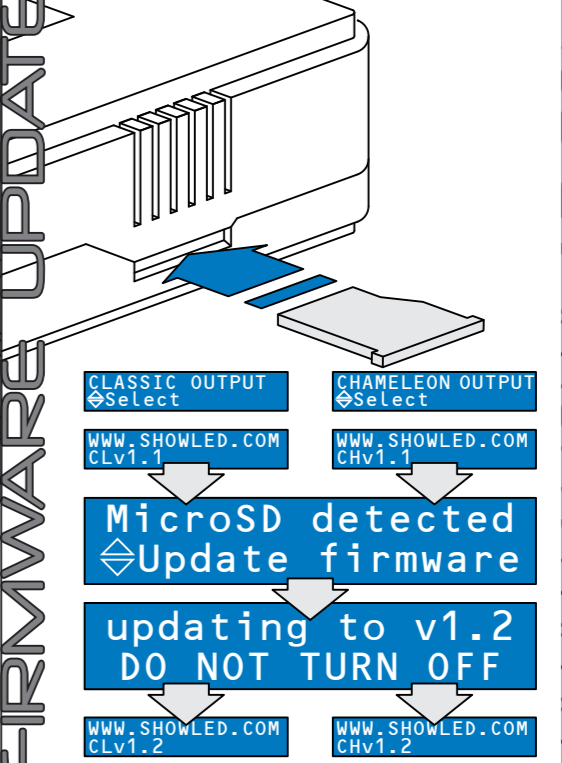
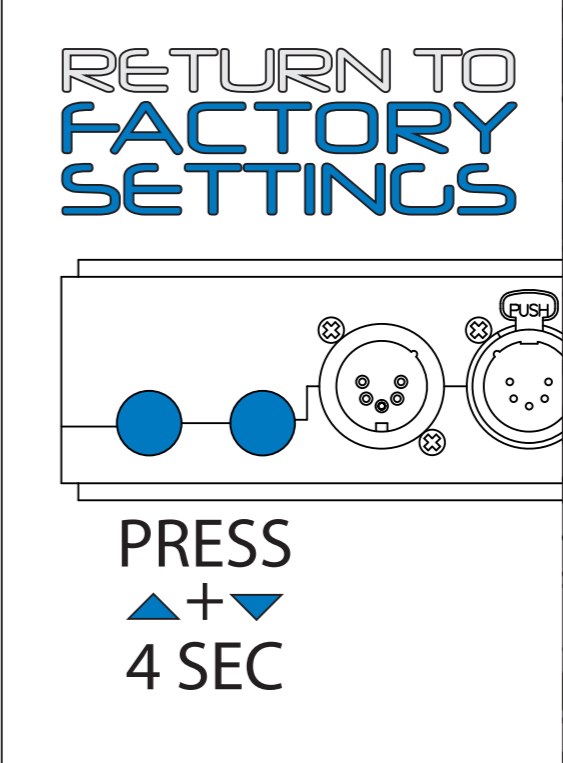
- STAND ALONE MASTER FOR CLASSIC + CHAMELEON**
- EXIT select
EXIT SETTINGS MENU
0 [1] [2] [3] [4] [R] [3] [2] [R] [CH] 255
 - PATTERN TYPE select
0 [1] [2] [3] [4] [5] [6] [7] [S] 255
 - PATT. BEHAVIOUR select
0 [soft] [hard] 255
 - CHASE SPEED select
0 [0] [1] [2] [3] [4] [5] [6] [7] [8] [9] [10] [11] [12] [13] [14] [15] [16] [17] [18] [19] [20] [21] [22] [23] [24] [25] 255
 - MIN. INTENSITY select
0 [0] [1] [2] [3] [4] [5] [6] [7] [8] [9] [10] [11] [12] [13] [14] [15] [16] [17] [18] [19] [20] [21] [22] [23] [24] [25] 255
 - MAX. INTENSITY select
0 [0] [1] [2] [3] [4] [5] [6] [7] [8] [9] [10] [11] [12] [13] [14] [15] [16] [17] [18] [19] [20] [21] [22] [23] [24] [25] 255

- STAND ALONE MASTER FOR CHAMELEON ONLY**
- NUMBER OF COLOURS select
0 [1] [2] [3] [4] [R] [3] [2] [R] [CH] 255
 - COLOUR 1 select
0 [0] [1] [2] [3] [4] [5] [6] [7] [8] [9] [10] [11] [12] [13] [14] [15] [16] [17] [18] [19] [20] [21] [22] [23] [24] [25] 255
 - COLOUR 2 select
0 [0] [1] [2] [3] [4] [5] [6] [7] [8] [9] [10] [11] [12] [13] [14] [15] [16] [17] [18] [19] [20] [21] [22] [23] [24] [25] 255
 - COLOUR 3 select
0 [0] [1] [2] [3] [4] [5] [6] [7] [8] [9] [10] [11] [12] [13] [14] [15] [16] [17] [18] [19] [20] [21] [22] [23] [24] [25] 255
 - COLOUR 4 select
0 [0] [1] [2] [3] [4] [5] [6] [7] [8] [9] [10] [11] [12] [13] [14] [15] [16] [17] [18] [19] [20] [21] [22] [23] [24] [25] 255

NOTE: DMX channel arrangement for 10/5 & 10/5SYNC is the same as this parameter description.



- DMX 24/8** select
required DMX channels 24 for chameleon / 8 for classic
- DMX 10/5** select
required DMX channels 10 for chameleon / 5 for classic
- DMX 10/5 SYNC** select
same as above but 'sync' helps to synchronise all your controllers
- set DMX base** select
set DMX base address



SHOWLED CREATIVE LED SOLUTIONS

www.showled.com
info@showled.com
support@showled.com

P.O. Box 120888
 Sharjah Airport Free Zone
 Warehouse Q4-006
 Sharjah
 United Arab Emirates

T +971 6 557 83 07
 F +971 6 557 84 09

© 2014 ShowLED FZC